



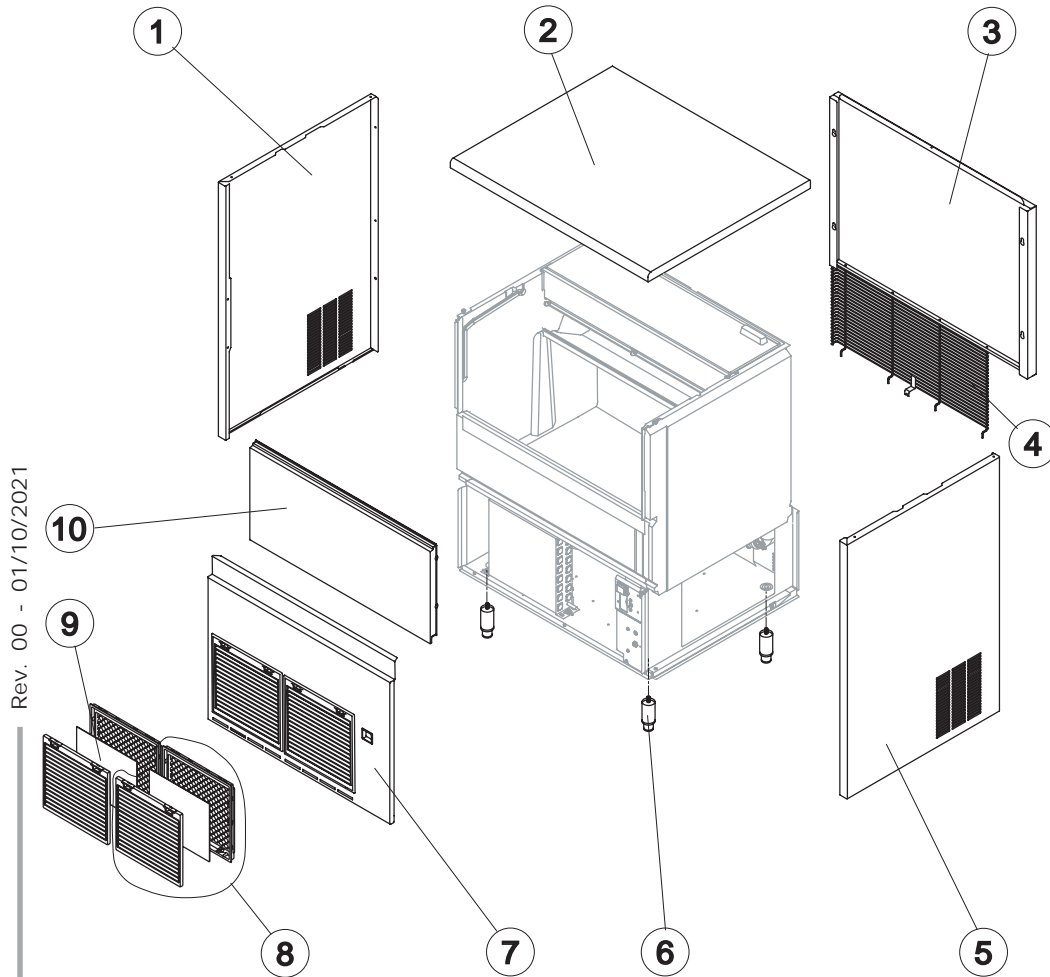
*SHELL ASSY*

*COOLING SYSTEM*

*HYDRAULIC CIRCUIT*

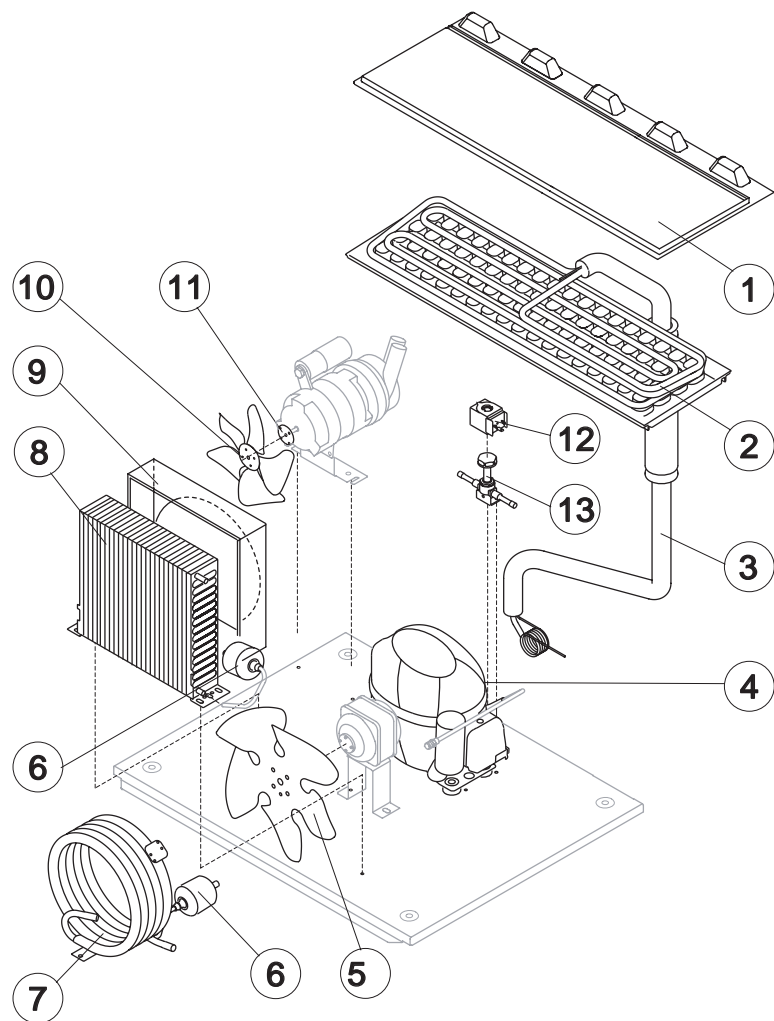
*HYDRAULIC CIRCUIT DP*

*ELECTRICAL PARTS*



Ref.	Spare Description	Code
1	Left Side Panel Assembly	C222031
2	Top	222009
3	Rear Side Panel	21582
4	Back grill	D12141
5	Right Side Panel Assembly	C222032
6	Adjustable Foot	20613
7	Front Panel	C222020
8	Grid whit Filter Assembly	C10205
9	Filter	18106
10	Door Assembly	C10275

Rev. 00 - 01/10/2021



### Common Parts

Ref.	Spare Description	Code
1	Evaporator Cover Panel	10514
2	Evaporator Assy	See Table
3	Suction Line	for the spare parts code give us the s/n.
4	Compressor	See Table
6*	Solid Core Drier	14089
9	Sucking Fan	10213
10	Fan Fixing Hub	10014
11*	Hot Gas Valve Coil	231294
12*	Hot Gas Valve Body	201129

### Parts for Air-Cooled Version Only

Ref.	Spare Description	Code
5	Sucking Fan	See Table
8	Air Condenser	20264
9	Conveyor	10163

### Parts for Water-Cooled Version Only

Ref.	Spare Description	Code
7	Water Condenser	14034

### R2f. 2 - Evaporator

Kind of Cube	Code
18 g. (Standard)	D10047
33 g.	D10090
13 g.	D10418
42 g.	D10480

### Ref. 4 - Compressor

Voltage	Code
220/240V 50 Hz	23875
220V 60 Hz	231307

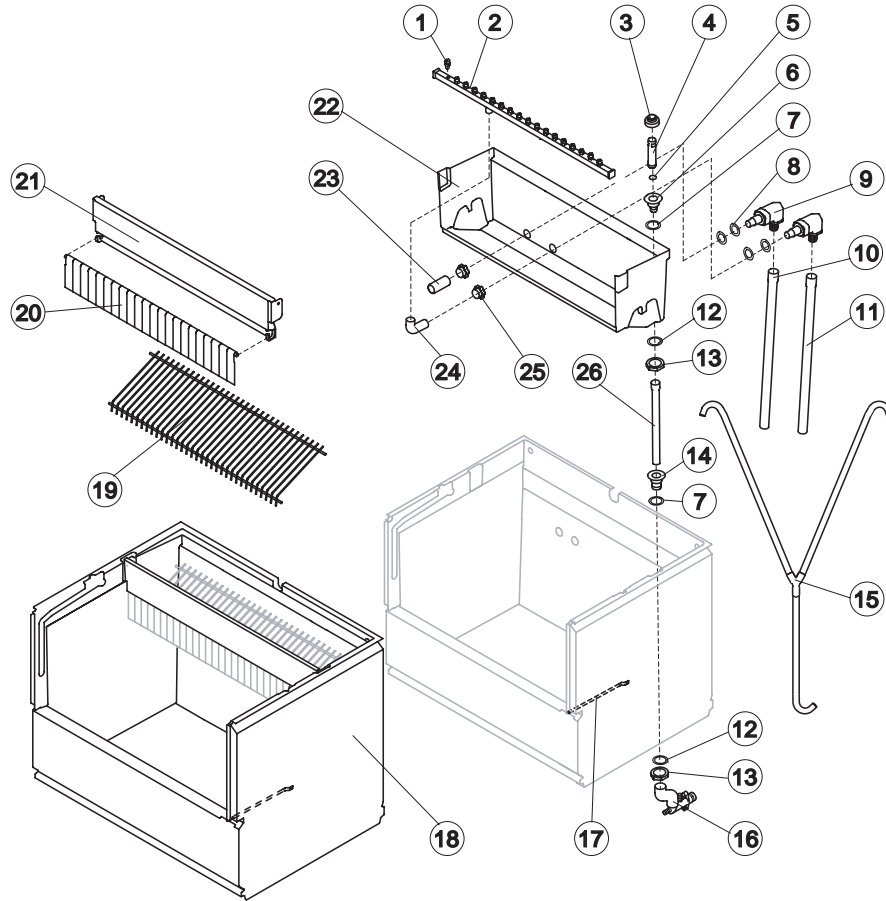
### Ref. 5 - Sucking Fan

Voltage	Code
220/240V 50 Hz	20031
220V 60 Hz	20962



# CB 840 New

## HYDRAULIC CIRCUIT only for CB840A and CB840W



### Common Parts

Ref.	Spare Description	Code
1	Sprayer	D20002
2*	Sprayers Bar Assembly	Vedi Tabella
3*	Overflow Cap	10305
4*	Overflow Pipe	10133
5*	OR Gasket for Overflow Pipe	20233
6	Overflow Pipe Nipple	10471
7	Gasket	13219
8	Gasket for Pump Suction/Delivery Pipes	13220
9	Insulated Pump Suction/Delivery Fitting	C10653
10	Insulated Pump Suction Pipe	C13175500
11	Insulated Pump Delivery Pipe	C13175500
12	Semirigid Polyethylene Gasket	13007
13	Bin Discharge Nut	10096
14	Water Outlet Nipple	10472
15*	Water Supply Pipe to the Evaporator	C13125
17	Bulbe-holder Pipe	20521
18	Complete Basin Assembly	C11259
19*	Ice Cubes Slide	Vedi Tabella
20	Rod with Flags	10775
21	Flags ABS Support	10760
22	Inner Basin	10034
23	Pump Suction Filter	20005
24	Sprayers Feeding Pipe	13005
25	Fittings Locking Ring	10654
26*	Overflow Pipe	13109

Rev. 00 - 01/10/2021

### Ref. 2\* - Sprayers Bar Assembly

Kind of Cube	Code
18 g. (Standard)	C20058
33 g.	C20156
13 g.	C20190
42 g.	C20802

### Ref. 19\* - Ice Cubes Slide

Kind of Cube	Code
18 g. (Standard)	D12017
33 g.	D12031
13 g.	D12039
42 g.	D12071

### Parts for Air-Cooled Version Only

Ref.	Spare Description	Code
16	Discharges Manifold	C10006

### Parts for Water-Cooled Version Only

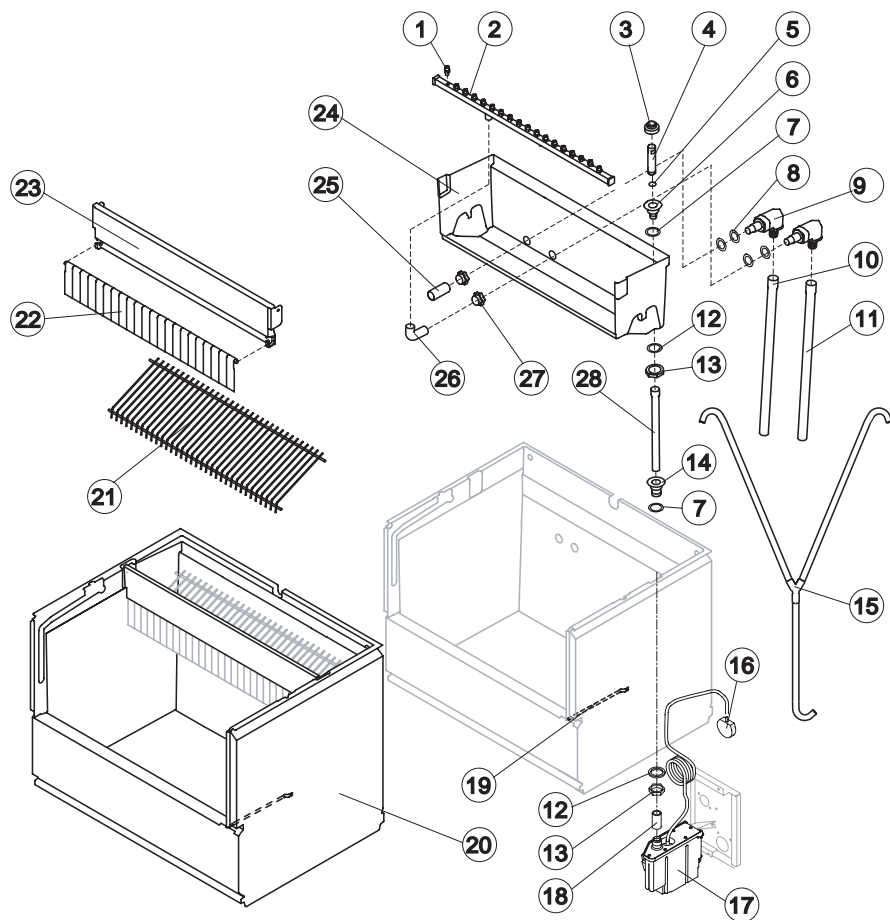
Ref.	Spare Description	Code
16	Discharges Manifold	C26452



# CB 840 New

# HYDRAULIC CIRCUIT

only for CB840A DP



### Common Parts

Ref.	Spare Description	Code
1	Sprayer	D20002
2*	Sprayers Bar Assembly	Vedi Tabella
3*	Overflow Cap	10305
4*	Overflow Pipe	10133
5*	OR Gasket for Overflow Pipe	20233
6	Overflow Pipe Nipple	10471
7	Gasket	13219
8	Gasket for Pump Suction/Delivery Pipes	13220
9	Insulated Pump Suction/Delivery Fitting	C10653
10	Insulated Pump Suction Pipe	C13175500
11	Insulated Pump Delivery Pipe	C13175500
12	Semirigid Polyethylene Gasket	13007
13	Bin Discharge Nut	10096
14	Water Outlet Nipple	10472
15*	Water Supply Pipe to the Evaporator	C13125
16	Drain Pump Pressure Switch	C231230
17	Drain Pump	RC231225
18	Bin Discharge-Drain Pump Connection	C13175190
19	Bulbe-holder Pipe	20521
20	Complete Basin Assembly	C11259
21*	Ice Cubes Slide	Vedi Tabella
22	Rod with Flags	10775
23	Flags ABS Support	10760
24	Inner Basin	10034
25	Pump Suction Filter	20005
26	Sprayers Feeding Pipe	13005
27	Fittings Locking Ring	10654
28*	Overflow Pipe	13109

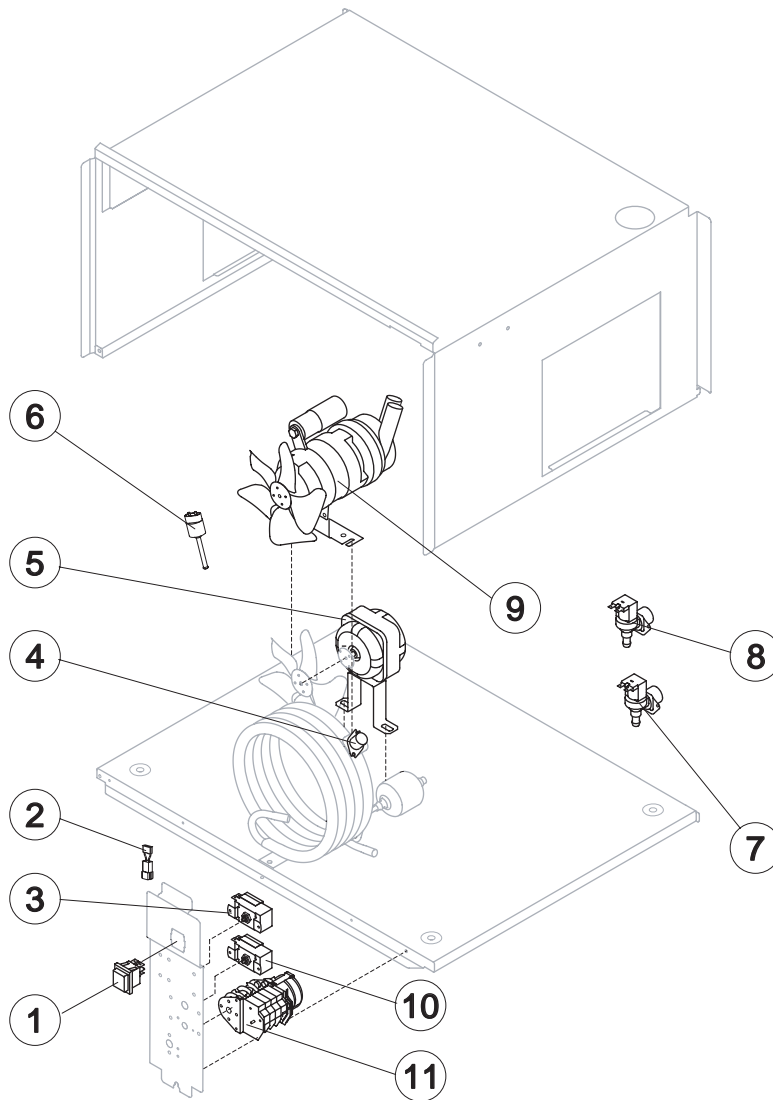
### Ref. 3\* - Sprayers Bar Assembly

Kind of Cube	Code
18 g. (Standard)	C20058
13 g.	C20190

### Ref. 20\* - Ice Cubes Slide

Kind of Cube	Code
18 g. (Standard)	D12017
13 g.	D12039

Rev. 00 - 01/10/2021



### Common Parts

Ref.	Spare Description	Code
1*	Green Light Switch (On-Off)	23327
3*	Bin Thermostat	23005
8*	1 Way- Water Inlet Valve (evaporator inlet)	23001
9*	Pump Assembly	RC23377
10*	Evaporator Thermostat	23591
11*	Timer	See Table

### Parts for Air-Cooled Version Only

Ref.	Spare Description	Code
2	Anti Radio Interference Filter	C23459
5*	Fan Motor	23067
6*	Condenser Pressure Switch	231340

### Parts for Water-Cooled Version Only

Ref.	Spare Description	Code
2	Anti Radio Interference Filter	C23457
4*	Safety Thermostat	C23114
6*	Condenser Pressure Switch	See Table
7*	1 Way- Water Inlet Valve (water condenser inlet)	23001

### Ref. 9\* - Condenser Pressure Switcth

Voltage	Code
220/240V 50 Hz	231342
220V 60 Hz	231341

### Ref. 11\* - Timer

Voltage	Cube 18g	Cube 33g	Cube 13g	Cube 42g
220/240V 50 Hz	23222	23248	23247	23780
220V 60 Hz	231078	231080	231077	231080